

Brass

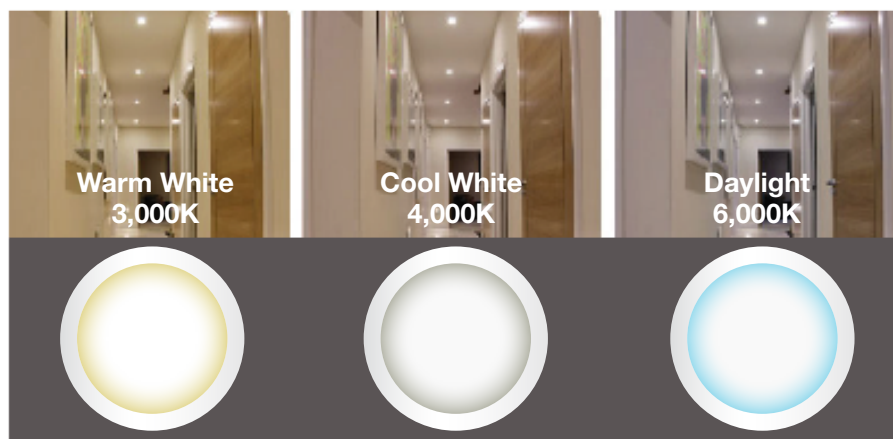
White

Chrome

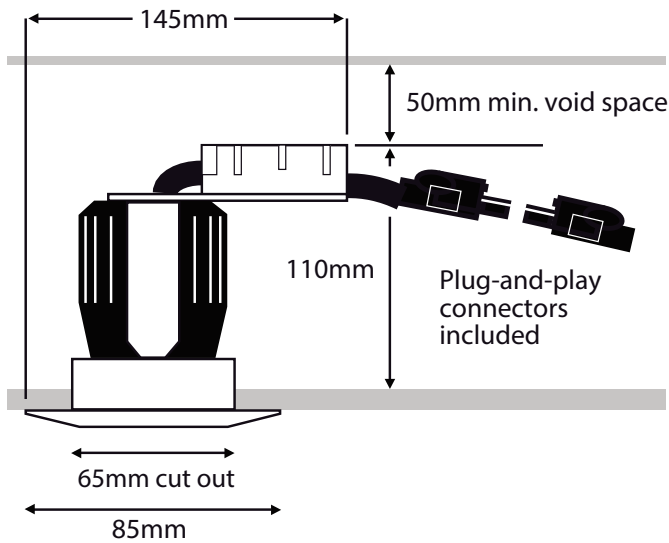
Brushed Steel

## All-in-One 8W LED Downlighter 12 products in one box

4 x bezel finishes plus 3 x colour temperatures



- Fire rated LED 8W downlighter
- 4 alternative bezels included
- 3 colour temperature settings
- Dimmable
- Easy plug-and-play wiring connections
- Average life 50,000 hours
- Fast installation
- 5 Year back to base warranty



004-0016

### Specifications

Replaces	MR16 Halogen Downlighters
Part code	LED501

### Luminescence

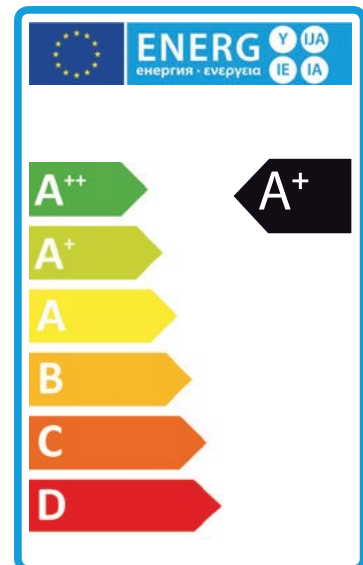
Light colour	3000K/4000K/6000K
Ra, consistency	Ra80, 6SDCM
Luminous flux	WW 615lm CW 740lm 649lm
Beam angle, light intensity	40°, 2185cd
Accent lighting	Yes
Warm up time	Instant
Dimmable	Yes (max. 20 fittings)

### Technical

Power input (50-60Hz AC)	8W (230Vac)
Power factor & current	0.9, 285mA
Lamp type	Britesource LED - COB
Fire rated	90 minutes
Working temperature	-30°C ~ 35°C
Construction	Aluminium heat sink, steel bezel
IP Rating	IP65 bezel only

### Efficiency

Energy efficiency label	A+
E <sub>c</sub> (Energy consumption)	10kWh/1000 hours
Lifetime	>50,000 hours
Building regs - part L	Yes
Warranty & LMF at EoL	5 Years
Switching cycles	100,000



Specifications and designs are subject to change without notice or obligation on the part of the manufacturer.  
© 2015 Anytronics Limited