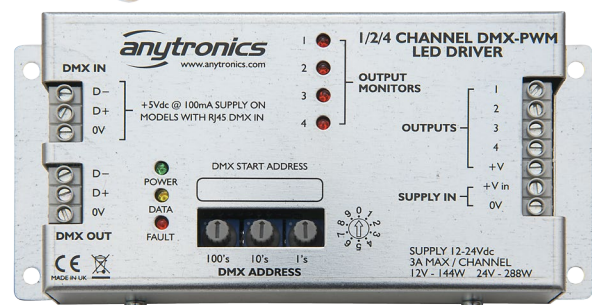


**NEW**



The Anytronics DMX to PWM LED driver provides four controllable PWM outputs for controlling LED loads connected with common anodes to a single supply in the range 12-24V dc. Where necessary, multiple supply configurations are also possible provided that the unit is also powered from the highest supply voltage in the range 12-24V. (See overleaf).

The start address for controlling DMX data can be set in the range 1-512 and data at one, two or four DMX addresses used to control the four outputs, each of which is rated and protected at 3A which allows 1 channel of 12A, 2 channels of 6A or 4 channels of 3A to be selected.

The two versions of the unit offer DMX In and DMX Through connections either on screw terminal or on RJ45 (computer style) connectors. If selected, the RJ45 DMX In connector also provides a 100mA +5V supply for powering a variety of DMX sources such as Anyscene, Anycolour or AMD architectural panels. Alternatively screw terminals can be fitted to provide the DMX connections.

- Provides 500Hz PWM control for four channels of constant voltage LED lighting
- Individual overcurrent and short circuit protection on each output
- Full DMX addressing range
- One, two or four decoded DMX addresses control the outputs
- Standard RJ45 DMX In and Through connectors
- +5V power on DMX In connector to power Anyscenes, AMD4, Anycolour etc.
- Phased PWM outputs reduce peak loading on power supplies when dimming
- 16 bit dimming provides extremely smooth stepless dimming and selectable linear and square law dimming laws
- Selectable fast (~5Hz) and slow (~1Hz) responses
- Synchronised outputs for higher current rating circuits
- DMX data hold on DMX disconnection

## Specifications

Model	1/2/4 Channel DMX to PWM LED Driver
Part code	LED124R (RJ45) LED124S (Screw Terminal)

## Supply

Operating Voltage	12-24V dc with power supply matched to load circuits
-------------------	--

## Output

Four PWM controlled outputs for common anode LED connection

Outputs rated and protected to 3A rating per channel

RJ45 'Data in' connector provides +5V, 100mA dc supply

## Controls

DMX input on RJ45 connector for Category 5 data and supply cable. Use Cat 5 shielded cable in noisy environments

## Temperature

Recommended ambient in range 0-40°C

## Dimensions

L 158mm (including 2 x 13mm flanges) W 70mm H 25mm

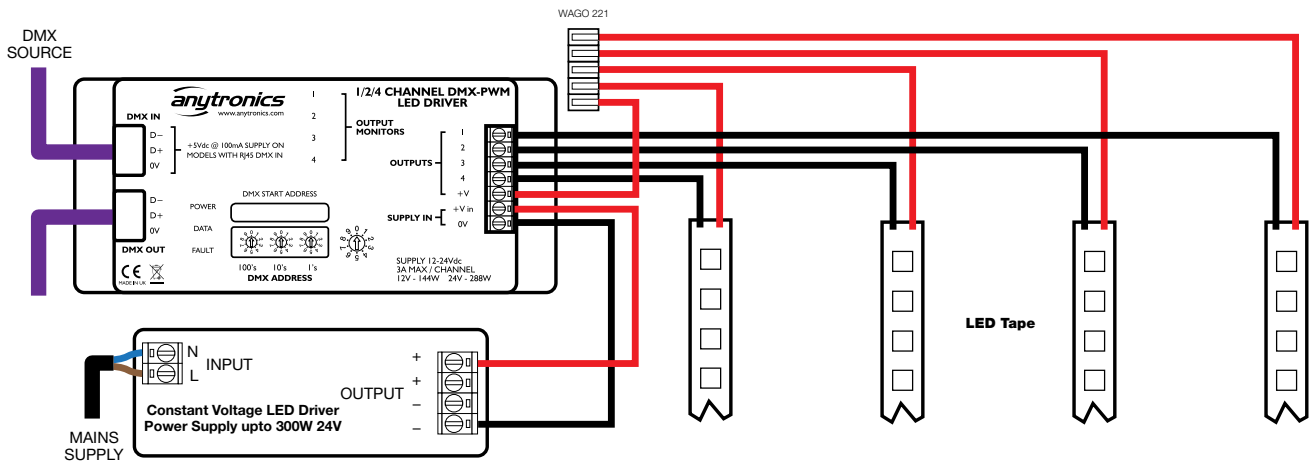
## Weight

Gross including packaging 0.4kg

Net Weight 0.3kg

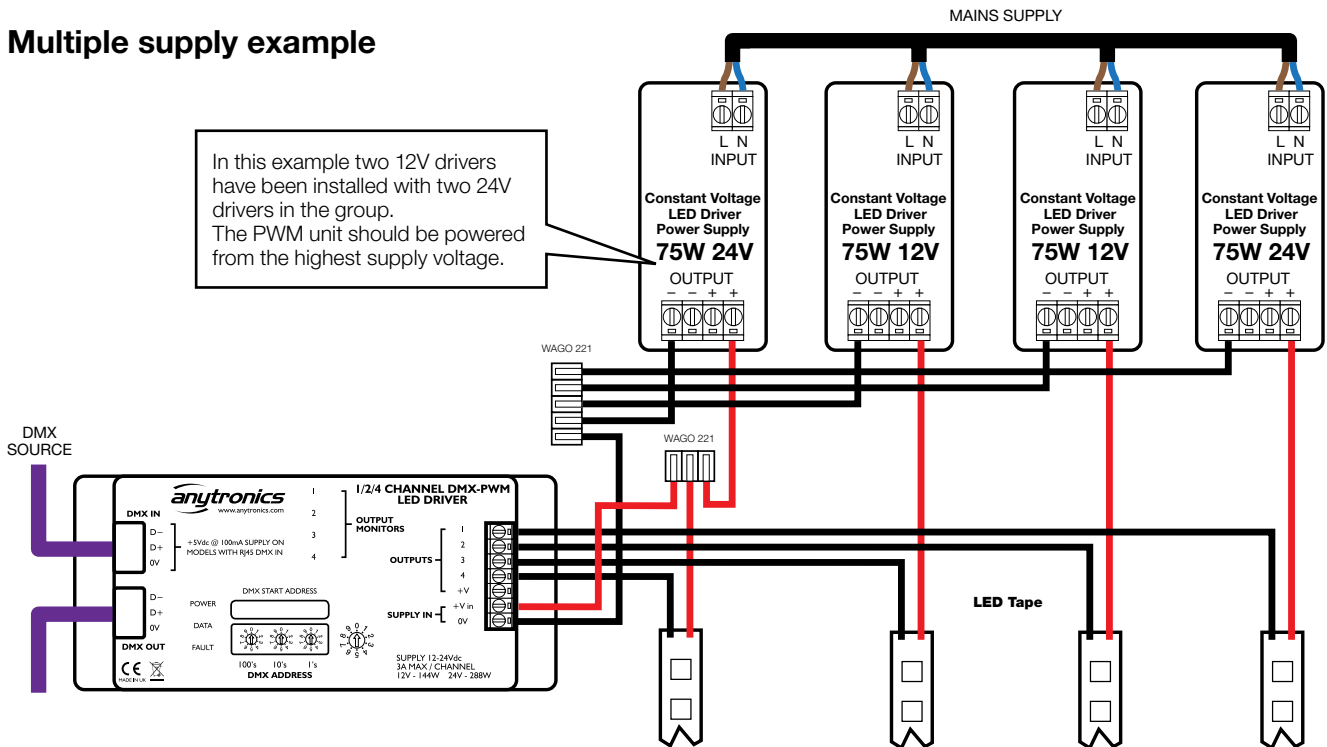
## Single supply example

**CAUTION: DO NOT HOT WIRE.** Ensure all connections to driver are in place before powering up



## Multiple supply example

In this example two 12V drivers have been installed with two 24V drivers in the group. The PWM unit should be powered from the highest supply voltage.



**anytronics**

Anytronics Limited

Units 5-6 Hillside Industrial Estate, London Road, Horndean, Hants, England, PO8 0BL, UK

Tel: +44 (0)23 92 599410 Fax: +44 (0)23 92 598723 email: sales@anytronics.com www.anytronics.com

Specifications and designs are subject to change without notice or obligation on the part of the manufacturer. © 2016 Anytronics Limited